

Features

- Driver inside, easily assemble, and replace halogen bulbs directly.
- Metal heat dissipation exterior casing.
- Equals to 50W halogen bulb.
- High PF value, no flicker.
- Dim to Warm is an embedded Lumenpulse Technology that reduces a luminaire's colour temperature when dimmed, allowing for smooth variations in warm white light. The dimming process is the same as halogen bulb performs.
- HALED optical design, low UGR value, CRI95 .
- Lifespan 25000 hrs, 3 years warranty.
- CE& RoHS
- High energy efficiency
- appearance: Titanium



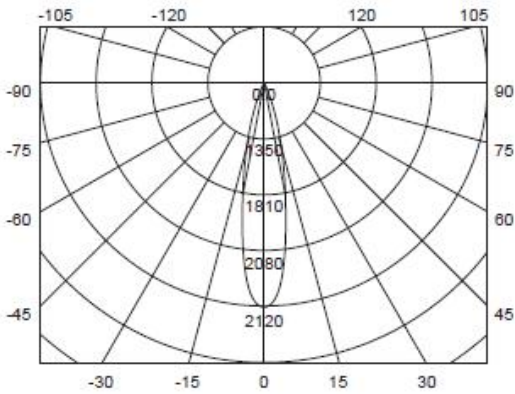
Applications

- Home appliance and other residential decorations.
- Commercial lighting like hotels, restaurants, bars, cafes, etc.

Product overview

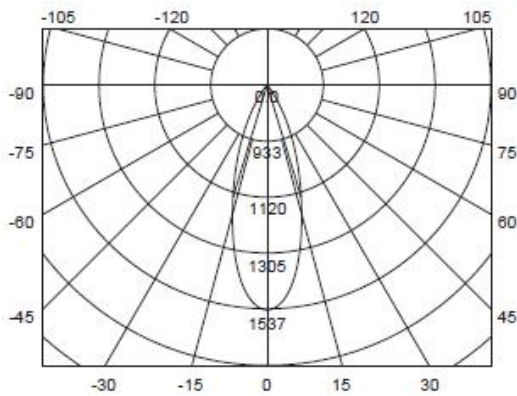
Part No.: WCVM002W10	Wattage: 10W	Dimmable: Dim to Warm
Codo No: 47528 / 47529		
CCT/Lumen output: 2700K-2100K/600lm		Energy efficiency class: G
PF: >0.9	CRI(Ra): 95	Weight: 100g
Voltage: AC200-240V	Current: 45mA	Frequency: 50/60Hz
Beam Angle (deg): 36° / 24°	Working Temperature: -20°C ~ - 40°C	Storage Temperature: -20°C ~ 50°C
Inner Box Dimensions	Outer Carton Dimensions	Qty: 100PCS
(LxWxH): 50*50*60mm	(LxWxH): 575*480*245mm	

Beam Angle 24° cd&lx



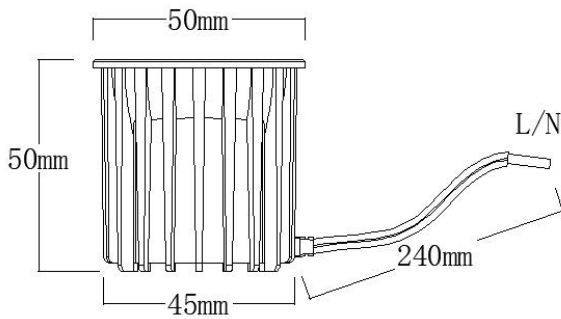
0.5m	4201/5107lx	21.18cm
1.0m	10141.24/2120lx	42.24cm
1.5m	936.22/1031.32lx	63.63cm
2.0m	435.35/503.17lx	89.71cm
3.0m	198.89/253.17lx	130.44cm

Beam Angle 36° cd&lx

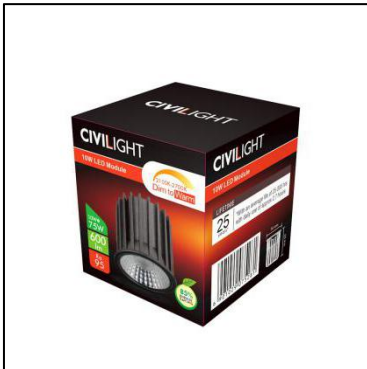


0.5m	3466/4223lx	33.76cm
1.0m	1372/1537lx	67.12cm
1.5m	611.9/777.6lx	101.24cm
2.0m	308.21/384.71lx	132.12cm
3.0m	145.62/179.57lx	203.7cm

Technical Drawings (L/N wire 240mm)



Packaging diagram



Inner Box



Middle Box



Outer Carton

Outer Carton Dimensions: (LxWxH): 575*480*245mm, Qty: 100PCS

Cautions

- Don't touch the lamp when it is lighted
- Don't use it in enclosed luminaire
- Power off before replacement
- Do not in violation of any fire regulations when using
- Consult professional electricians for technical support
- If the cable is damaged, it must be replaced by the manufacturer and its service agent, or qualified person in order to avoid hazards.

