

Features:

- Metal heat dissipation exterior casing
- Equals to 50W halogen bulb.
- High PF value, no flicker, dimmable triac.
- HALED optical design, low UGR value, CRI95
- Easily assemble, and replace halogen bulbs directly.
- Lifespan 40000 hrs, 5 years warranty.
- CE& RoHS
- High energy efficiency
- appearance: Titanium

**Applications**

- Home appliance and other residential decorations.
- Commercial lighting like hotels, restaurants, bars, cafes, etc.

Product overview

Part No.: DGU10 WC50T6

Wattage: 6W

Dimmable: Yes

Codo No: 25622 / 25639

CCT/Lumen output: 3000K/345lm

Energy efficiency class: G

PF: >0.85

CRI(Ra):95

Weight: 47g

Voltage: AC200-240V

Current: 33mA

Frequency: 50/60Hz

Beam Angle: 36° / 24°

Socket: GU10

Working Temperature :-20°C ~ - 50°C

Inner Box Dimensions

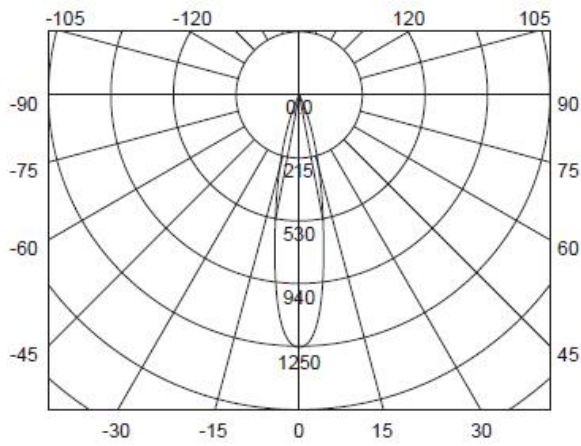
Outer Carton Dimensions

Qty: 100PCS

(LxWxH):55 x 55 x 65mm

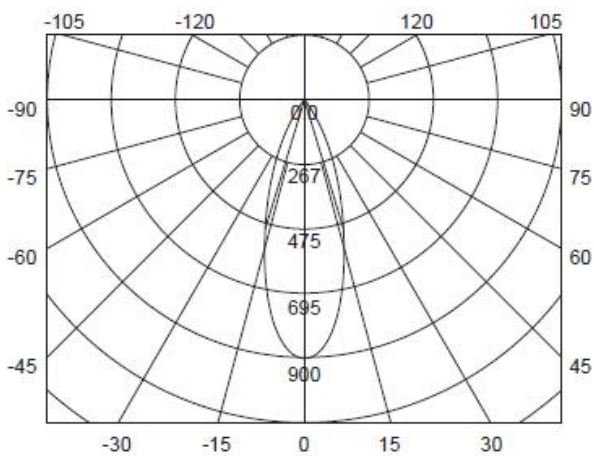
(LxWxH):580 x 285 x 185mm

Beam Angle 24° cd&lx



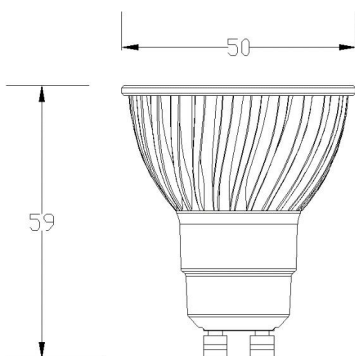
0.5m	3512/4028lx	20.98cm
1.0m	1076.2/1260.5lx	41.78cm
1.5m	663.48/704.22lx	62.67cm
2.0m	495.21/534.51lx	83.56cm
3.0m	287.19/301.96lx	125.34cm

Beam Angle 36° cd&lx



0.5m	2462/3712lx	30.86cm
1.0m	692.4/912.5lx	61.72cm
1.5m	269.11/402.31lx	92.58cm
2.0m	149.79/234.61lx	123.44cm
3.0m	88.99/99.89lx	185.16cm

Technical Drawings (mm)



Packaging diagram



Inner Box



Middle Box



Outer Carton

Outer Carton Dimensions: (LxWxH): 580*285*185mm, Qty: 100PCS

Cautions

- Don't touch the lamp when it is lighted
- Don't use it in enclosed luminaire
- Power off before replacement
- Do not in violation of any fire regulations when using
- Consult professional electricians for technical support
- If the cable is damaged, it must be replaced by the manufacturer and its service agent, or qualified person in order to avoid hazards.

