

Features

- Driver inside, easily assemble, and replace halogen bulbs directly.
- Metal heat dissipation exterior casing.
- Equals to 75W halogen bulb.
- High PF value, no flicker, dimmable triac.
- HALED optical design, low UGR value, CRI95
- Lifespan 25000 hrs, 3 years warranty.
- CE& RoHS
- High energy efficiency
- appearance: Titanium



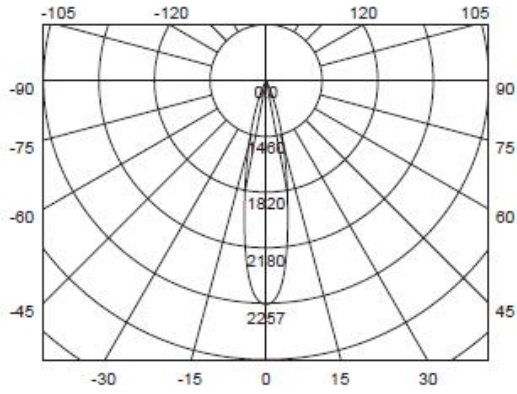
Applications

- Home appliance and other residential decorations.
- Commercial lighting like hotels, restaurants, bars, cafes, etc.

Product overview

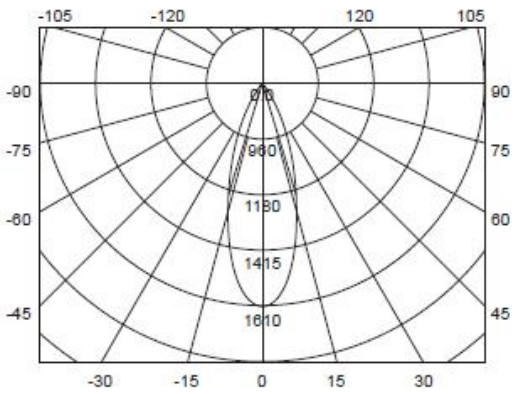
Part No.: DCVM002W10	Wattage: 10W	Dimmable: Yes
Codo No: 47534 / 47530		
CCT/Lumen output: 3000K/620lm		Energy efficiency class: G
PF: >0.9	CRI(Ra): 95	Weight: 100g
Voltage: AC200-240V	Current: 45mA	Frequency: 50/60Hz
Beam Angle (deg): 36° / 24°	Working Temperature: -20°C ~ - 40°C	Storage Temperature: -20°C ~ 50°C
Inner Box Dimensions	Outer Carton Dimensions	Qty: 100PCS
(LxWxH): 50*50*60mm	(LxWxH): 575*480*245mm	

Beam Angle 24° cd&lx



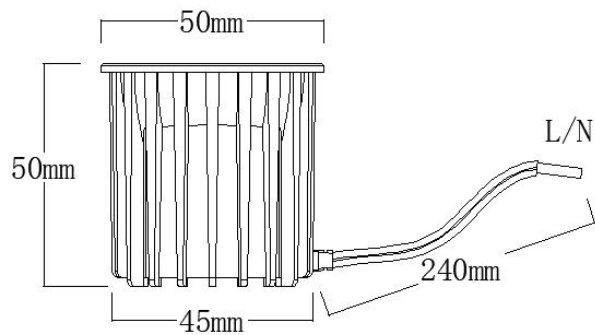
0.5m	4316/5218lx	22.08cm
1.0m	2041.12/2265lx	44.16cm
1.5m	1002.26/1114.32lx	66.23cm
2.0m	455.11/504.71lx	88.31cm
3.0m	205.32/265.17lx	132.47cm

Beam Angle 36° cd&lx

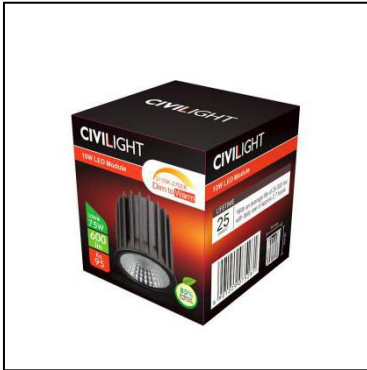


0.5m	3596/4526lx	33.36cm
1.0m	1457.2/1627.3lx	66.73cm
1.5m	721.3/837.1lx	100.9cm
2.0m	388.2/494.1lx	133.45cm
3.0m	205.12/264.8lx	200.18cm

Technical Drawings (L/N wire 240mm)



Packaging diagram



Inner Box



Middle Box



Outer Carton

Outer Carton Dimensions: (LxWxH): 575*480*245mm, Qty: 100PCS

Cautions

- Don't touch the lamp when it is lighted
- Don't use it in enclosed luminaire
- Power off before replacement
- Do not in violation of any fire regulations when using
- Consult professional electricians for technical support
- If the cable is damaged, it must be replaced by the manufacturer and its service agent, or qualified person in order to avoid hazards.

